



EC DECLARATION OF CONFORMITY

The below signatory, on behalf of the company **HIERROS Y APLANACIONES S.A. (HIASA)**, sited in Polígono Industrial de Cancienes, s/n. 33470, Corvera, Asturias, Spain

DECLARES THAT:

The product “**AIR H-80V**” **REDIRECTIVE CRASH CUSHION**” – Vehicle Restraint System, Crash Cushion for use in public areas,

complies the **ANNEX ZA** of the Norm **EN 1317-5:2007 + A1:2008**

Notified Certification Body:

BUREAU VERITAS CERTIFICATION

C/ Valportillo Primera, 22-24, Polígono Industrial de la Granja,
28108 Alcobendas, Madrid, España (Spain)

Number of EC Certificate of Conformity:

1035-8003008-AG



Fernando Castro Cáncer
MANAGING DIRECTOR
20/08/2012



Hiasa
Grupo Gonvarri

Polígono Industrial de Cancienes, s/n. 33470 - Corvera, Asturias, ESPAÑA
Tel: +(34) 985 128200 Fax: +(34) 985 505361
e-mail: seguridadvial_hiasa@gonvarri.com
<http://www.hiasa.com>



EC CERTIFICATE OF CONFORMITY

Certificate N°: 1035-8003008-AG

In compliance of the Directive 89/106/EEC of the Council of European Communities of 21 December 1988 on the approximation of laws, regulations and administrative provisions of the member states relating to the construction products (Construction Products Directive – CPD), amended by the Directive 93/68/EEC of the Council of European Communities of 22 July 1993, it has been stated that the road restraint system identified as:

Vehicle Restraint System – Redirective Crash-Cushion “AIR H-80V”, whose performances under impact and characteristics are detailed in the attached annex

Placed in the market and produced by: **HIERROS Y APLANACIONES, S.A. (HIASA)**
In its factory located in: **POLIGONO INDUSTRIAL DE CANCIENES S/N
33470 CORVERA ASTURIAS**

is submitted by the manufacturer to a Factory Production Control according to the requirements of the European standard and submitted to the Initial Type Tests in an accredited laboratory of samples taken in the factory, according to requirements of the European standards.

And that notified body *Bureau Veritas Certification, S.A.* has performed the Initial Inspection of the Factory and Factory Production Control, the evaluation of conformity and performs the continuous surveillance, assessment and approval of the Factory Production Control.

This certificate attests that all the relative requirements for the compliance of the conformity described in the annex ZA of the harmonized standard were applied, that the product fulfils all the prescribed requirements and it authorizes the manufacturer or its agent to fix the CE marking.

This certificate remains valid while the conditions established in the harmonized standard or the production conditions of the factory or the same FPC have not changed significantly, up to 2014-11-26.



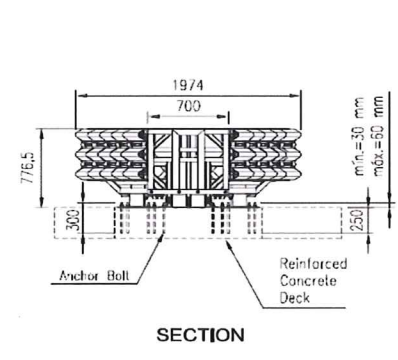
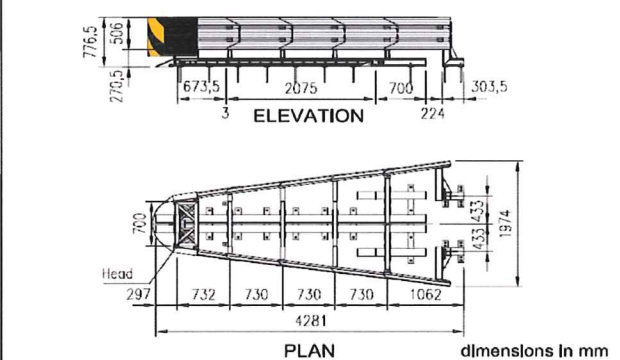
Place and date of first approval: Madrid 2012-08-02

Signed by

Mandel Medina Fernández-Regatillo
General Manager

Bureau Veritas Certification, S.A.
C/ Valportillo Primera, nº 22-24
Pol. Ind. de la Granja 28108, Alcobendas - Madrid
Notified Body 1035
ENAC Accreditation number OC-P/005

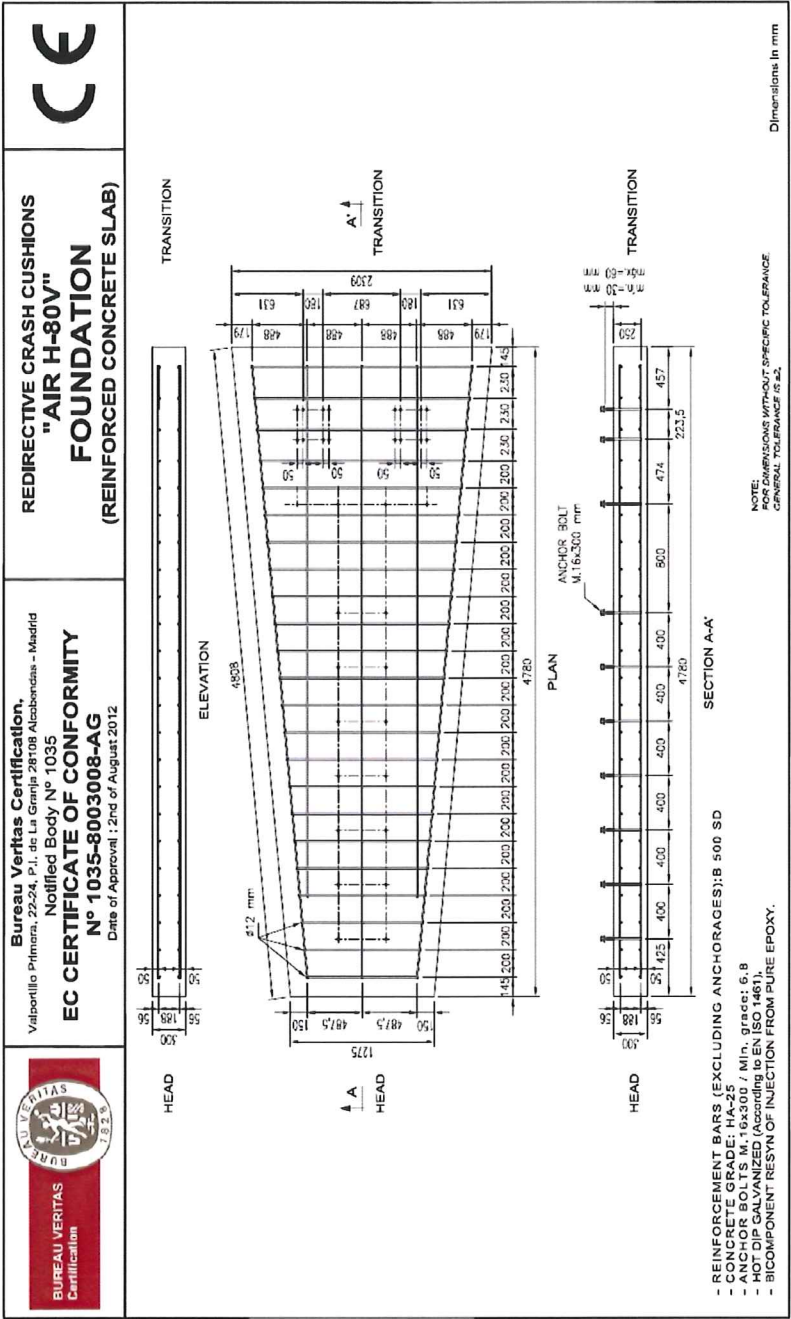


		<p>Bureau Veritas Certification, Valportillo Primera, 22-24, P.I. de La Granja 28108 Alcobendas - Madrid Notified Body N° 1035 EC CERTIFICATE OF CONFORMITY N° 1035-8003008-AG Date of Approval : 2nd of August 2012</p>			
<p>ROAD RESTRAINT SYSTEMS - CRASH CUSHION: REDIRECTIVE CRASH-CUSHION "AIR H-80V"</p>					
 <p style="text-align: center;">SECTION</p>			 <p style="text-align: center;">ELEVATION</p> <p style="text-align: center;">PLAN dimensions in mm</p>		
<p>Placed in the market by:</p> <p style="text-align: center;">HIASA Polígono Industrial de Candenes 33470 Corvera, Asturias - SPAIN</p>			<p>Produced In:</p> <p style="text-align: center;">HIASA Polígono Industrial de Candenes 33470 Corvera, Asturias - SPAIN</p>		
<p>EUROPEAN STANDARDS:</p> <p>EN 1317-1 EN 1317-3 EN 1317-5</p>		<p>PERFORMANCE UNDER IMPACT:</p> <p>a) Performance under Impact: 80 km/h b) Impact Severity Level: B c) Redirection Zone: Z1 d) Permanent Lateral Displacement: Da: 0,0 m / Db: 0,1 m (D1)</p>			
<p>SOIL DESCRIPTION:</p>		<p>Reinforced Concrete Slab (See drawing attached)</p>			
<p>DETACHED PIECES:</p>		<p>Totally detached elements having a solid mass > 2,0 Kg: NO Totally detached elements having a solid mass > 0,5 Kg: NO</p>			
<p>TEST VEHICLES:</p>		<p>TC 4.2.80 : Renault Laguna, 1998</p>			
<p>OBSERVATIONS: "AIR H-80V" crash-cushion is a member of a family according to 5.5 chapter of EN 1317-3, corresponding to a single parent crash-cushion "AIR H-110P" which has minimum taper angle and highest level 110 Km/h. (*AIR H-110P" crash-cushion EC Certificate of Conformity N° 1035-8003008-AA)</p>					
<p>INITIAL TYPE-TEST LABORATORY :</p>			<p>FUNDACIÓN CIDAUT, Valladolid (Spain)</p>		
<p>VEHICLE IMPACT TEST CODES :</p>			<p>E12-0293 (TC 4.2.80)</p>		
<p>MATERIALS:</p>		<p>Steel EN 10025 EN ISO 4957</p>		<p>DURABILITY:</p>	
<p>STANDARDS:</p>		<p>EN ISO 1461 EN ISO 14713</p>		<p>Hot dip galvanizing EN ISO 1461 EN ISO 14713</p>	


Signed by:


Manuel Medina Fernandez-Regatillo
General Manager





Signed by:



Manuel Medina Fernandez-Regatillo
General Manager